



**Zoning Resolution**

THE CITY OF NEW YORK  
Eric Adams, Mayor

CITY PLANNING COMMISSION  
Daniel R. Garodnick, Chair

**139-541 - Special design standards for guardrails**

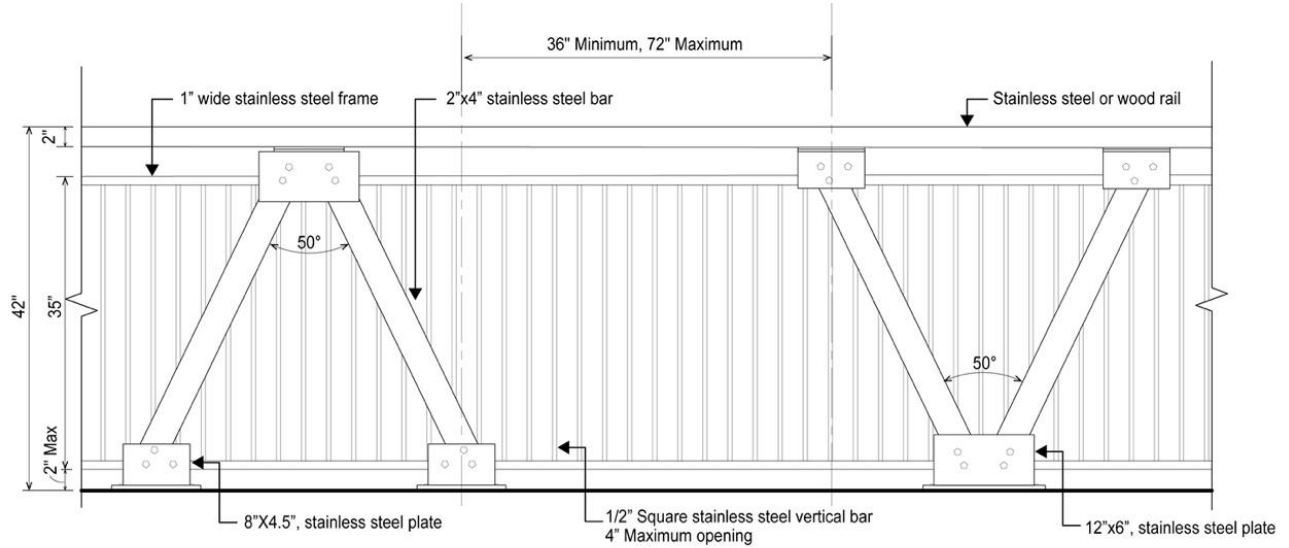
File generated by <https://zr.planning.nyc.gov> on 12/18/2024

# 139-541 - Special design standards for guardrails

LAST AMENDED  
11/23/2021

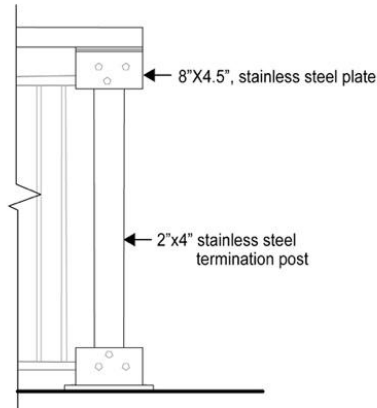
In addition to the provisions of paragraph (a) of Section 62-651 (Guardrails, gates and other protective barriers), guardrails shall comply with the illustrations provided in either paragraph (a) or (b) of this Section, or shall be of a comparable design which is the minimum modification needed. Where modification is sought, it shall be deemed suitable by the Chairperson of the City Planning Commission in consultation with the Department of Parks and Recreation (DPR).

(a) Option 1: vertical bar guardrail

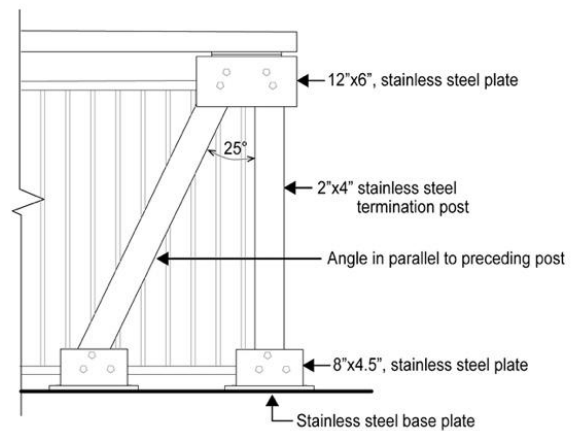


GUARDRAIL (TYPICAL)  
Front Elevation

GUARDRAIL TERMINATION  
Front Elevation

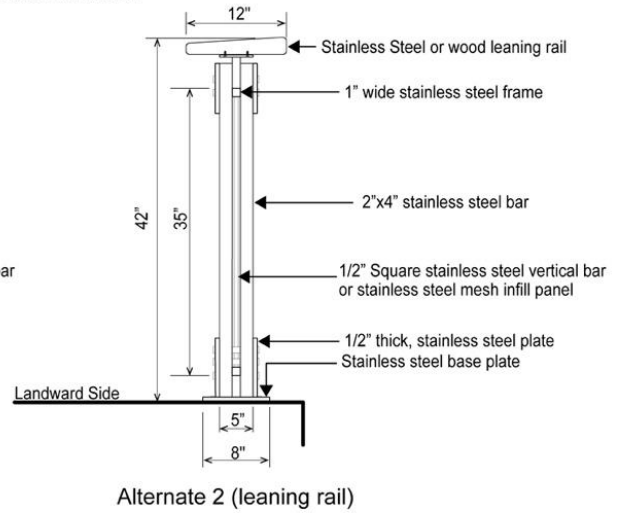
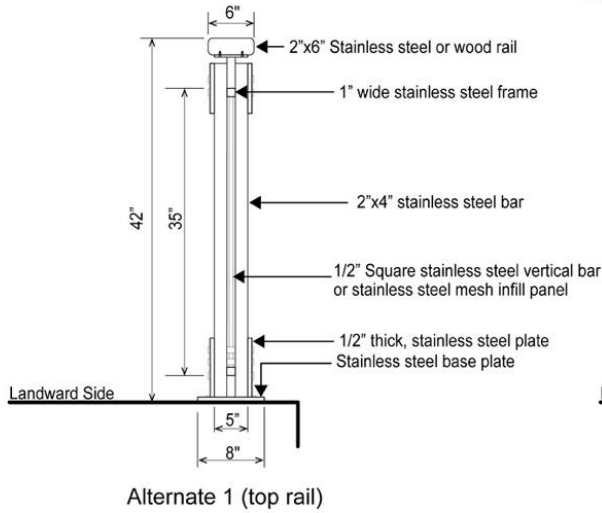


Alternate 1

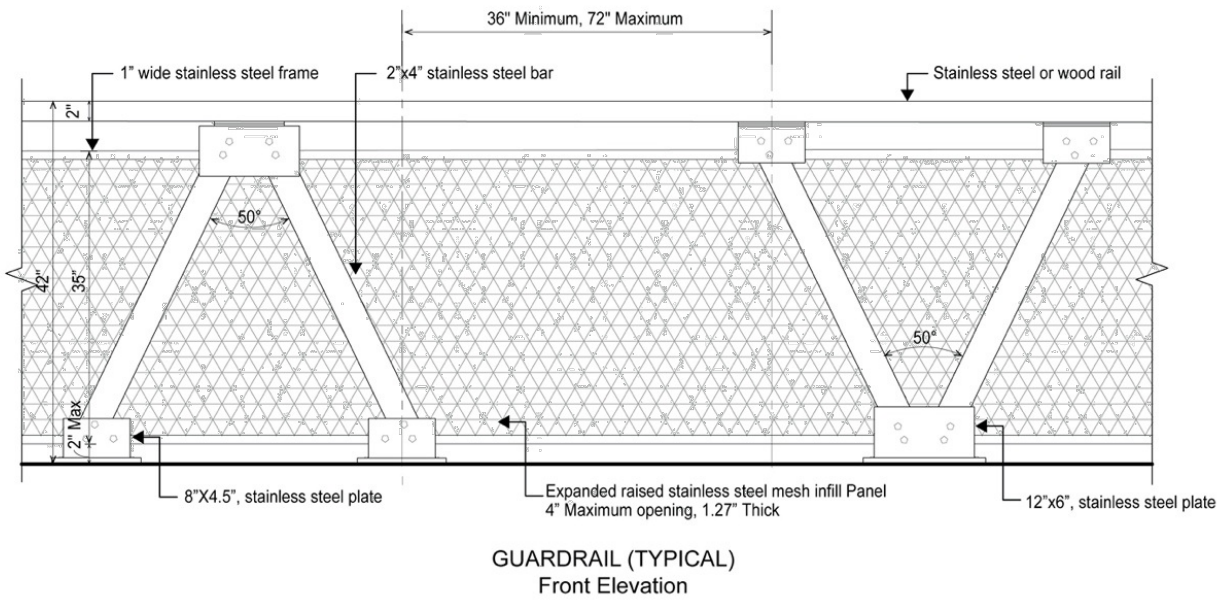


Alternate 2

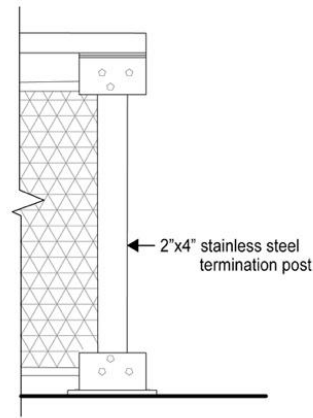
GUARDRAIL (TYPICAL)  
Side Elevation



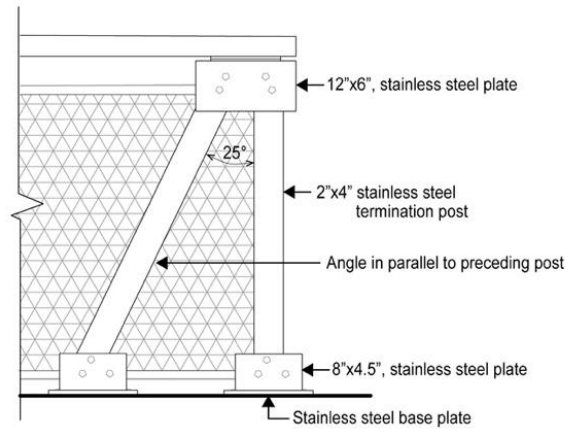
(b) Option 2: mesh guardrail



GUARDRAIL TERMINATION  
Front Elevation

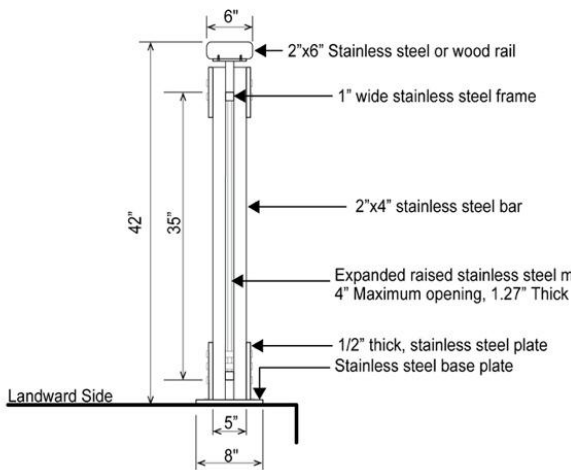


Alternate 1

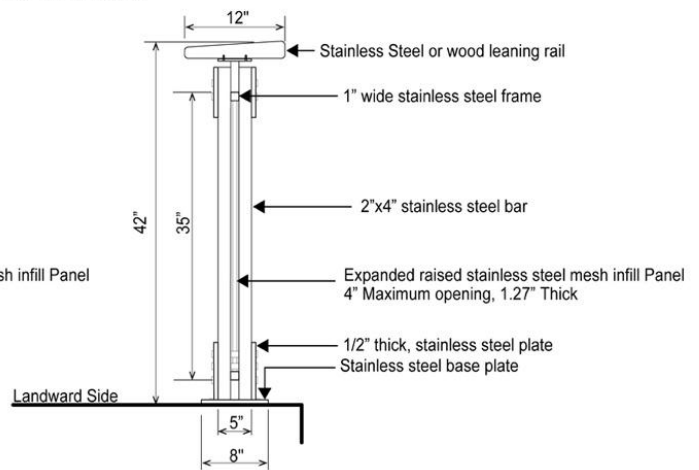


Alternate 2

GUARDRAIL (TYPICAL)  
Side Elevation



Alternate 1 (top rail)



Alternate 2 (leaning rail)

All guardrail components and hardware shall be in unpainted stainless steel and shall conform to any additional standards set forth by DPR.